

ATTENTION: TO INSURE SAFE AND EASY USE OF YOUR WESCO DRUM LIFTER, READ THESE INSTRUCTIONS BEFORE USING.

Description

The Wesco Salvage Drum Lifters are designed specifically for fast and gentle loading of closed head steel drums into overpacks. The SDL-55 is designed for use with 55 gallon drums only and the SDL-85 is designed for use with 85 gallon drums only.

This product is distributed by:

Wesco Industrial Products, LLC

1250 Welsh Road
North Wales, PA 19454
Tel: 215-699-7031 Fax: 215-699-3836

Contact the factory for parts information and ordering.
Visit us on the web at www.wescomfg.com

Unpacking

When unpacking the Wesco Product, check carefully for shipping damage and missing parts. If damage has occurred or any parts are missing, file a claim with the delivering carrier within 24 hours and notify the dealer from whom the unit was purchased.

Warranty Repairs

If the unit does not work properly, contact your dealer or the factory (215-699-7031) for units less than 90 days old.

Non-Warranty Service

If units are older than 90 days, repairs can be made easily on site with factory supplied parts.

NOTE: Do not send units to the factory for service without first obtaining a "Return Merchandise Authorization" (RMA) number from the customer service department. We will not be responsible for merchandise returned without proper authorization.

Operating Instructions

- (1) Manually position lift pads 1 and 2 on side of drum.
- (2) Slowly raise crane making sure lift pads securely grip under drum chime.
- (3) Drum may now be lifted and transported.
- (4) Lifter is designed to allow placement of drums in a steel or poly over pack drum.
- (5) Lifter must be manually removed from drum after drum is in desired location.

LIMITED WARRANTY

WESCO INDUSTRIAL PRODUCTS (WESCO) warrants to the purchaser of this product for a period of ninety (90) days from the date of purchase that this product shall be free of defects in material and/or workmanship, as follows:

1. WESCO will supply, at no charge, new or rebuilt replacements for any part that fails through a defect in material and/or workmanship during the warranty period. To obtain warranty service, you must deliver the product prepaid, to the WESCO factory.

2. This warranty does not cover any product or product part which has been subject to accident, misuse, abuse or negligence. WESCO shall only be liable under this warranty if the product is used the manner intended by the manufacturer as specified in the written instructions furnished with this product.

REPAIR OR REPLACEMENT AS PROVIDED UNDER THIS WARRANTY IS THE EXCLUSIVE REMEDY OF THE PURCHASER. ANY EXPRESS WARRANTY NOT PROVIDED IN THIS WARRANTY DOCUMENT, AND ANY REMEDY FOR BREACH OF CONTRACT THAT, BUT FOR THIS PROVISION, MIGHT ARISE BY IMPLICATION OR OPERATION OF LAW, IS HEREBY EXCLUDED AND DISCLAIMED. UNDER NO CIRCUMSTANCES SHALL WESCO BE LIABLE TO PURCHASER OR ANY OTHER PERSON FOR ANY INCIDENTAL OR CONSEQUENTIAL DAMAGES, WHETHER ARISING OUT OF BREACH OF WARRANTY, EXPRESS OR IMPLIED, A BREACH OF CONTRACT OR OTHERWISE. EXCEPT TO THE EXTENT PROHIBITED BY APPLICABLE LAW, ANY IMPLIED WARRANTY OF MERCHANTABILITY AND FITNESS FOR ANY PARTICULAR PURPOSE ARE EXPRESSLY LIMITED IN DURATION TO THE DURATION OF THIS LIMITED WARRANTY.

Some states do not allow the exclusion or limitation of incidental or consequential damages, or allow limitations on how long any implied warranty lasts, so the above limitations may not apply to you. This warranty gives you specific legal rights, and you may also have other rights which vary from state to state.

Spare Parts

Item	Part No.	Description	Qty.
1	051782	Arm Support Weldment (SDL-55 Only)	1
	051792	Arm Support Weldment (SDL-85 Only)	
2	051788	Pivot Arm Weldment (SDL-55 Only)	1
	051798	Pivot Arm Weldment (SDL-85 Only)	
3	053431	Bagged Hardware	1

General Safety Information

Warning: The Wesco Drum Lifters are intended for specific functions. Please adhere to the following instructions to insure safe and proper use.

- (1) Maximum capacity - 1000 Lbs.
- (2) Do not exceed rated capacity. Injury to persons or property may result from overloading and misuse.
- (3) **Do Not use on Open Head Drums**

Warning

- DO NOT walk under elevated drums.
- Unit lift bar must be placed securely under drum chime or locking ring
- Periodically check for loose or worn hardware; If found replace at once.

Assembly Instructions

- (1) Line up holes of the Arm Support and Pivot Arm.
- (2) Slip pin (B) through the lined up holes.
- (3) Place washer (D) on Pin and insert Cotter Pin (C)
- (4) Bend Cotter Pin sufficiently to prevent it from coming out.

Note: Arm Support should pivot freely inside Pivot Arm. If it does not, lubricate lightly with silicone.

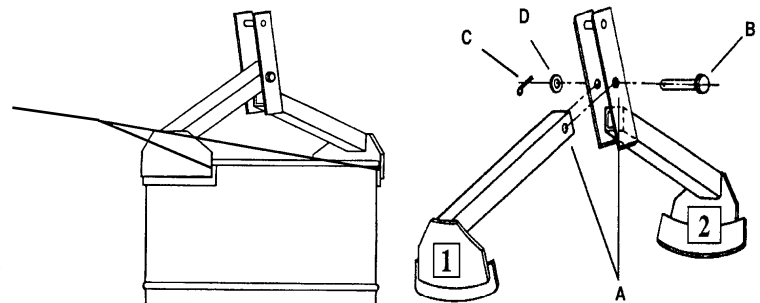


Figure 1

Figure 2