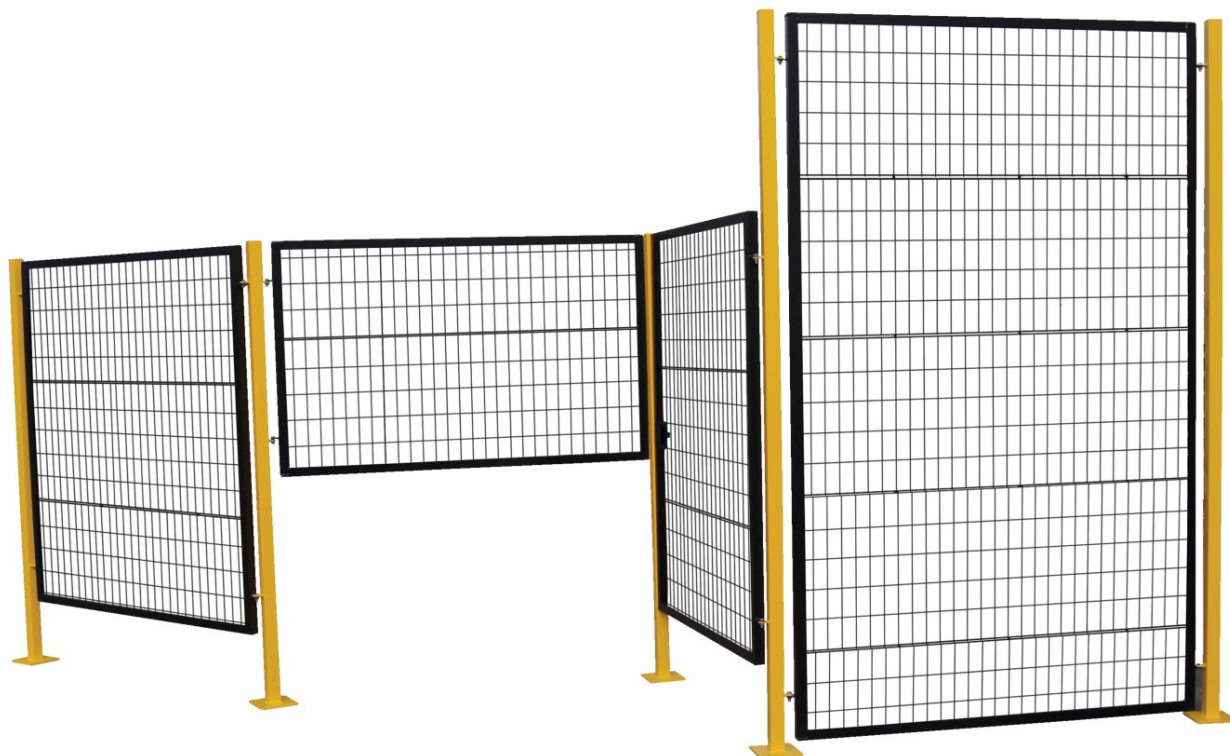




VESTIL MANUFACTURING CORP.
 2999 North Wayne Street, P.O. Box 507, Angola, IN 46703
 Telephone: (260) 665-7586 -or- Toll Free (800) 348-0868
 Fax: (260) 665-1339
 www.vestilmfg.com e-mail: info@vestil.com

APG-Series Adjustable Perimeter Guard System Installation Manual



Receiving instructions:

After delivery, IMMEDIATELY remove the packaging from the product. Inspect the product closely to determine whether it sustained damage during transport. If damage is discovered, record a complete description of it on the bill of lading and notify the freight carrier.

Notice:

- 1) Compliance with laws, regulations, codes, and non-voluntary standards enforced in the location where the product is used is the responsibility of the end-user.
- 2) VESTIL is not responsible for any injury or property damage that results from failure to apply either:
 - a) Instructions in this manual; or
 - b) Information provided in labels on the product.

Table of Contents

Specifications.....	2
Signal Words.....	2
Hazards of Improper Use.....	2
Installation Instructions.....	3-5
Maintenance.....	5
Limited Warranty.....	6

Table of Figures

Fig. 1: Example Assembly.....	3
Fig. 2 "Post and bracket".....	3
Fig. 3 "Cross-section of gate-hinge connection".....	4
Fig. 4 "Parts of hinge".....	4
Fig. 5 "Panel-to-post connections diagram".....	5

Specifications:

Thank you for purchasing an APG-series Adjustable Perimeter Guard System from Vestil Manufacturing Corporation ("Vestil"). Our perimeter guards are durable, high-quality products engineered to be both dependable and uncomplicated. Any person who might install or maintain this product should be familiar with the instructions provided in this manual.

Dimensions and other product specifications appear in the following table:

Model	Description	Height in Inches (~cm)	Width in Inches (~cm)	Net Weight in Pounds (~kg)
APG-M-35	Panel	36	60	28
APG-M-38	Panel	36	96	41
APG-M-45	Panel	48	60	34
APG-M-48	Panel	48	96	50
APG-M-55	Panel	60	60	40
APG-M-58	Panel	60	96	59
APG-M-65	Panel	72	60	46
APG-M-85	Panel	96	60	59
APG-P6-L	Post	72	N/A	16
APG-P6-C	Corner post	72	N/A	21
APG-P8-L	Post	96	N/A	20
APG-P8-C	Corner post	96	N/A	25
APG-DR-54	Hinged door	60	48	73

Signal Words:

This manual uses SIGNAL WORDS to call attention to uses of this product that are likely to result in personal injuries or property damage. The signal words used in this manual appear below along with their definitions.

WARNING Identifies a hazardous situation which, if not avoided, **COULD** result in **DEATH** or **SERIOUS INJURY**.

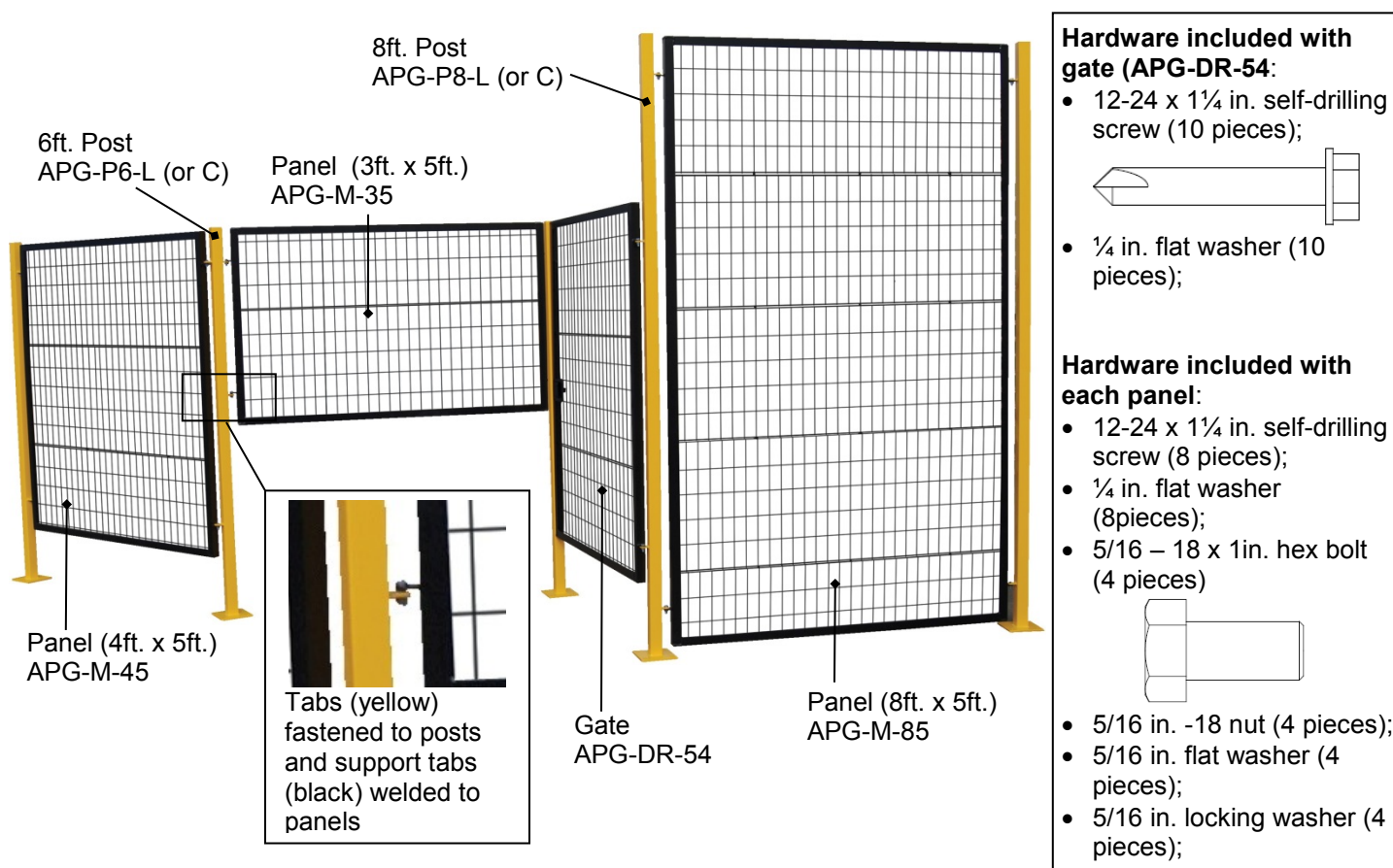
NOTICE Identifies practices likely to result in product/property damage, such as operation that might damage the product or other property.

Hazards of Improper Use:

Study the entire manual before using this cart. A copy of the manual should be available to users at all times. Read the manual whenever necessary to refresh your understanding of the recommended operation, inspection, and maintenance procedures.

WARNING Machine guards are used to reduce the likelihood that people might be injured by moving parts of industrial equipment:

- ONLY use perimeter guards as a means for shielding people from machines.
- DO NOT use a structurally compromised perimeter guard system or component, i.e. panel and post. Examples of structural damage include: broken or missing panel grid, broken or significantly bent post(s), and/or broken mounting brackets. Inspect the perimeter guard according to the inspection instructions on p. 6. Replace a panel(s) or post(s) that fails to pass *any* part of the inspection. DO NOT use the panel/post until authorized maintenance personnel either approve the component for service, or replace the damaged component.
- DO NOT hang objects or material from the perimeter guard, or rest objects/material on the panels or posts.
- DO NOT modify a component in any way UNLESS you first obtain written approval from Vestil. Unauthorized modifications might make a component unsafe to use or render it an ineffective barrier, which could result in operator and/or bystander injury.

FIG. 1: Example assembly

Installation instructions:

Compliance with local building code requirements, municipal or county ordinances, OSHA standards, etc. is exclusively the responsibility of the end-user.

Installation requires the following:

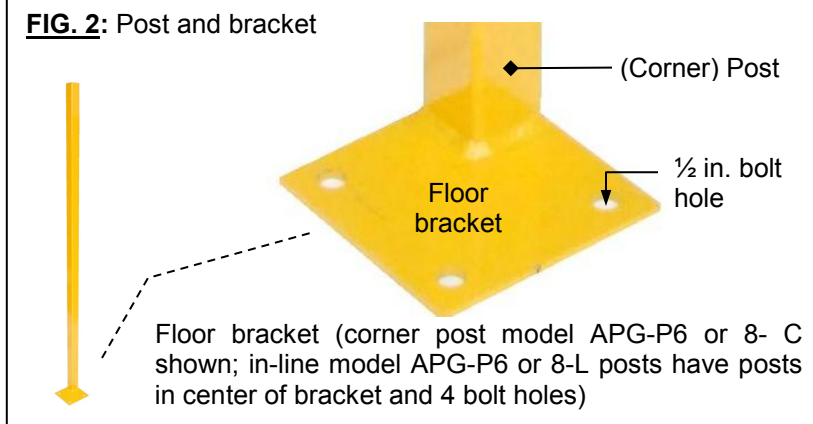
- Anchor bolts [not supplied]: select $\frac{3}{8}$ in. diameter anchor bolts that are at least 4 in. long (1.3 cm by 10cm);
- Masonry drill and drill bit: select a drill bit that matches the outer diameter of the anchor sleeve;
- $\frac{3}{8}$ in. wrench or socket.

Step 1: Sweep and clean the floor surface where the guard system will be installed. The surface should be undamaged, even, and level.

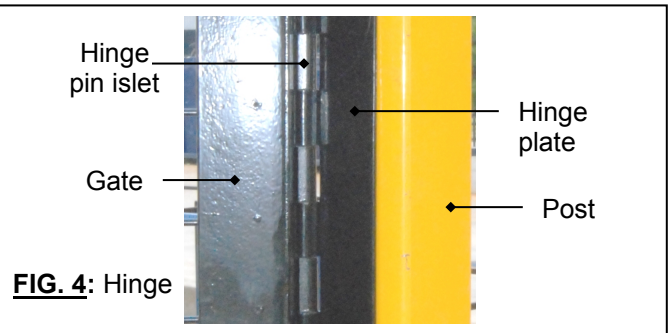
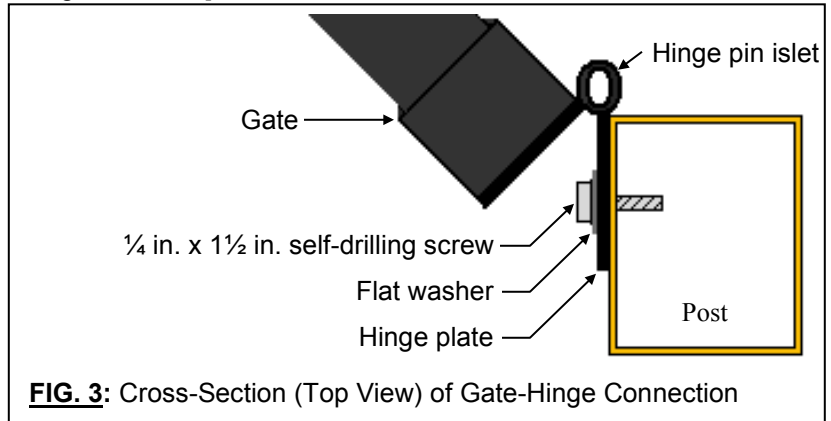
Step 2: Determine the ideal location for the gate (APG-DR-54), and install the post that will support the hinged side of the gate. **[NOTE:** 1) Opening the gate requires a key when accessed from one side, but does not require a key if accessed from the other side. Be sure to determine the desired orientation of the latch when selecting a location for the post. 2) Verify that the gate will open in the desired direction.]

To install the post:

- Put the post in the appropriate location (if using a corner post, see “NOTE about installing corner posts” on p.5), and then mark the floor to show the location of each bolt hole (4 total) in the floor bracket of the post;
- Drill three (3 for corner posts) or four (4 for in-line posts) holes at least 4 in. deep;
- Move the post into position and align the bracket with the drilled holes. Slide a $\frac{3}{8}$ in. flat washer onto each bolt and insert the bolts into the bolt holes. Tighten the connections to securely fasten the post to the floor.



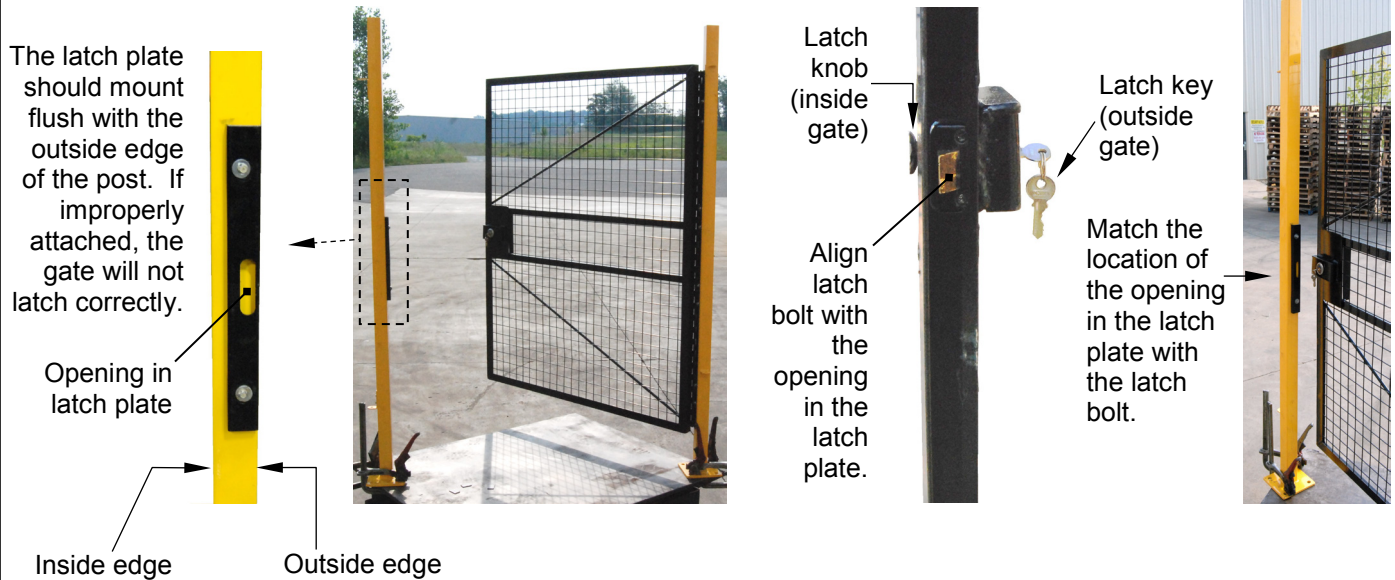
Step 3: Choose the desired vertical position of the gate with respect to the post. Mark the post with the location of each of the 8 bolt holes in the hinge plate. **[NOTE:** Make sure that the hinge pin islets lie above the surface of the post, otherwise the gate will not close properly. See “Cross-section” diagram below.]



Use a 3/16 in. bit to drill holes for the self-drilling screws.

To fasten the gate to the post, slide a flat washer onto each screw; then insert the screws into the holes and tighten them.

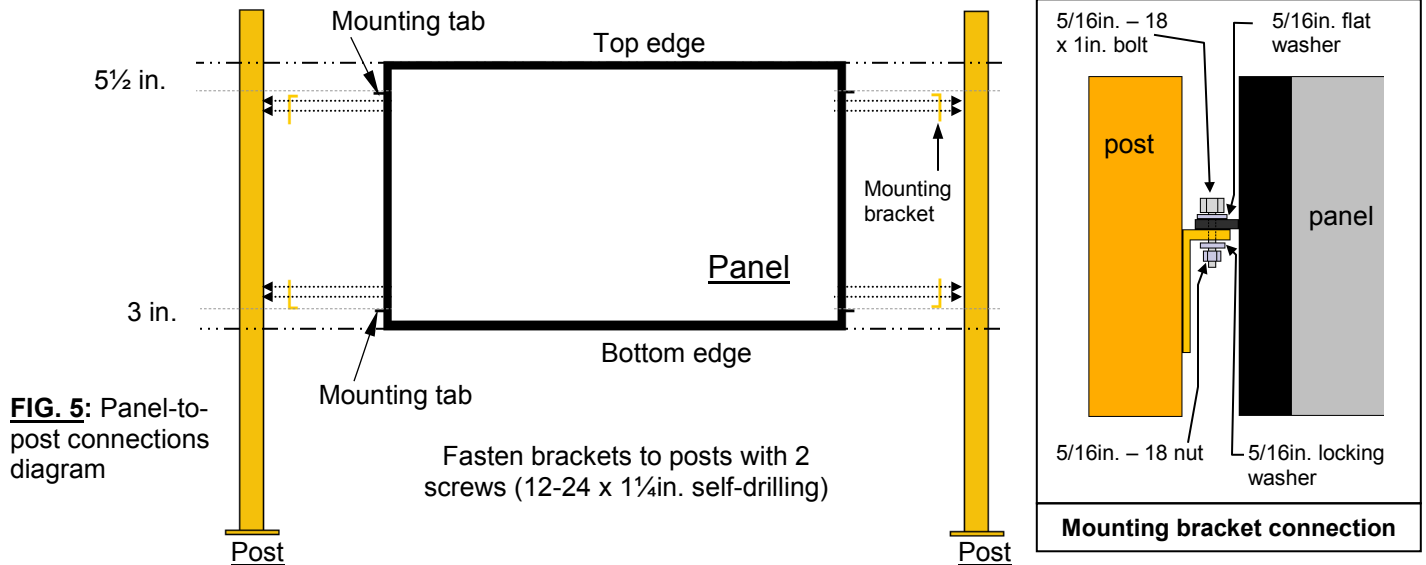
Step 4: Install the other gate post. First attach the latch plate to the post. Hold the plate against the post so that one side is flush with the outer edge of the post; adjust the location of the plate so that the latch bolt aligns with the opening in the latch plate. Mark the locations of the bolt holes; then drill 3/16 in. holes and fasten the plate to the post with 2 self-drilling screws.



After the latch plate is installed, determine the ideal location for the second post. The post should be close enough to the other post (approximately 49-7/8 in. to 50 in., which is equal to ~126cm) to allow the latch bolt to seat securely within the opening in the latch plate. Ideally, at least 1/2in. of the bolt should extend into the opening. Perform steps 1 and 2 on p. 4 to prepare the surface for installation and to anchor the post to the ground.

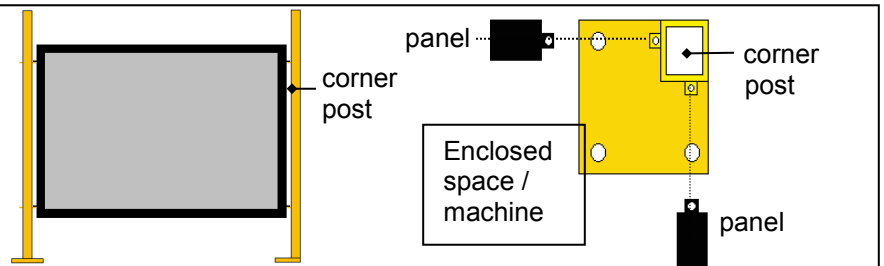
Step 5: Install other posts and panels as required. As before, determine the desired height of the top of each panel. Mark the post to show the top and bottom edges of the panel. Measure 5 1/2 in. below the top edge mark and mark the post.

Measure 3in. above the bottom edge and mark the post with this location. These two new marks indicate the location of the mounting bracket tabs. Hold a bracket against the post and align the bracket tab with the 5½ in. mark; mark the post with the hole locations. Repeat this process for the 3in. mark with the second bracket (see diagram below).



Note about installing corner posts:

Orient corner posts so that the post itself forms the outer corner and the foot bracket at the base of the post is within the enclosed space. Proper orientation is represented in the diagrams.



Maintenance:

At least once per month, inspect the perimeter guard system components.

1. **Hinge:** check the hinge for excessive wear and for loosened connections between hinge and post. If the hinge is damaged, replace the gate. If the connection(s) between the hinge and the post are loose, unfasten the gate from the post, drill new holes in the post, and fasten the gate to the new holes.
2. **Floor connection points:** anchor bolts should rigidly connect each post to the ground. Concrete around each anchor bolt should be intact—no cracking or chipping. If anchor bolt connections are loose, disassemble the guard system. Drill new anchoring holes and fasten the posts to the new holes.
3. **Fasteners:** check each connection. Tighten loose connections and replace damaged hardware.

Limited Warranty:

Vestil Manufacturing Corporation (“Vestil”) warrants this product to be free of defects in material and workmanship during the warranty period. Our warranty obligation is to provide a replacement for a defective original part if the part is covered by the warranty, after we receive a proper request from the warrantee (you) for warranty service.

Who may request service?

Only a warrantee may request service. *You are a warrantee if* you purchased the product from Vestil or from an authorized distributor AND Vestil has been fully paid.

What is an “original part”?

An original part is a part used to make the product as shipped to the warrantee.

What is a “proper request”?

A request for warranty service is proper if Vestil receives: 1) a photocopy of the Customer Invoice that displays the shipping date; AND 2) a written request for warranty service including your name and phone number. Send requests by any of the following methods:

<u>Mail</u>	<u>Fax</u>	<u>Email</u>
Vestil Manufacturing Corporation 2999 North Wayne Street, PO Box 507 Angola, IN 46703	(260) 665-1339 <u>Phone</u> (260) 665-7586	sales@vestil.com

In the written request, list the parts believed to be defective and include the address where replacements should be delivered.

What is covered under the warranty?

After Vestil receives your request for warranty service, an authorized representative will contact you to determine whether your claim is covered by the warranty. Before providing warranty service, Vestil may require you to send the entire product, or just the defective part or parts, to its facility in Angola, IN. The warranty covers defects in the following original dynamic components: motors, hydraulic pumps, electronic controllers, switches and cylinders. It also covers defects in original parts that wear under normal usage conditions (“wearing parts”), such as bearings, hoses, wheels, seals, brushes, and batteries.

How long is the warranty period?

The warranty period for original dynamic components is 30 days. For wearing parts, the warranty period is 30 days. The warranty periods begin on the date when Vestil ships the product to the warrantee. If the product was purchased from an authorized distributor, the periods begin when the distributor ships the product. Vestil may, at its sole discretion, extend the warranty periods for products shipped from authorized distributors by *up to* 30 days to account for shipping time.

If a defective part is covered by the warranty, what will Vestil do to correct the problem?

Vestil will provide an appropriate replacement for any *covered* part. An authorized representative of Vestil will contact you to discuss your claim.

What is not covered by the warranty?

- Labor;
- Freight;
- Occurrence of any of the following, which automatically voids the warranty:
 1. Product misuse;
 2. Negligent operation or repair;
 3. Corrosion or use in corrosive conditions;
 4. Unauthorized modifications: DO NOT modify the product IN ANY WAY without first receiving written authorization from Vestil. Modification(s) might make the product unsafe to use or might cause excessive and/or abnormal wear.
 5. Damage sustained during shipping;
 6. Accidents involving the product;
 7. Inadequate or improper maintenance;

Do any other warranties apply to the product?

Vestil Manufacturing Corp. makes no other express warranties. All implied warranties are disclaimed to the extent allowed by law. Any implied warranty not disclaimed is limited in scope to the terms of this Limited Warranty.

