



## Tradesman® Forced Air Kerosene Heater

- Tradesman® kerosene heaters provide instant, efficient, directional heat
- A dependable dual-prong electronic spark ignition, heavy-duty enclosed motor and long lasting composite fuel fittings are just a few of the features that provide long life and trouble free operation
- Dual-prong electronic spark ignition
- Auxiliary 110 V power receptacle
- Temperature display and thermostat
- Fuel gauge indicates remaining run time
- Threaded drain plug
- Wheels and handles make it easier to maneuver (except JG957)
- Includes pressure gauge (except JG957)
- Voltage: 115 V



JG957



JG958



Model No.	Mfg. No.	Amperage (Continuous Operation)	Wattage (Continuous Operation)	BTU Rating	Tank Capacity US Gallons	Price /Each
JG957	TRADESMAN K75	1.6	184	75 000	5	
JG958	TRADESMAN K125	2.5	287.5	125 000	10	
JG959	TRADESMAN K175	3.2	368	175 000	13	
JG960	TRADESMAN K210	3.7	425.5	210 000	13	
JG962	TRADESMAN K650	7.1	816.5	650 000	50	

## Sun Blast® Flat Panel Radiant Heaters

- Sun Blast® flat panel is great for spot heating large areas
- Folding handle and wheels for easy transport
- Piezo pilot ignition
- Tip over switch shuts product down for safety
- Works with standard 20 lb. cylinder
- Lightweight for easy maneuverability
- Directional heating
- Natural gas version also available



Model No.	Mfg. No.	Rating BTU/H	Price /Each
JG968	SUN BLAST 35	35 000	

## Sun Blast® Round Radiant Heater

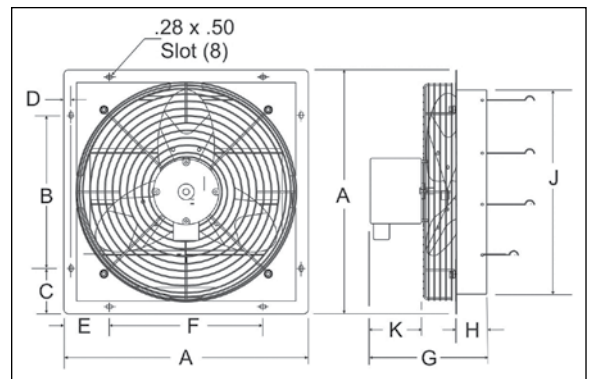
- Sun Blast® round provides 360° radiant heating
- High handle and wheels for easy transport
- Durable rugged construction ideal for any construction site
- Piezo pilot ignition
- Tip over switch shuts product down for safety
- Natural gas version also available



Model No.	Mfg. No.	Rating BTU/H	Price /Each
JG969	SUN BLAST 125	125 000	

## Shutter Fans

- 115 V motor 1 phase
- Totally enclosed motor
- Direct drive, low pressure
- Fully assembled, ready to install
- Rear guard meets OSHA standards
- 24" and 30": 3 speeds with pull chain motor, plug and cord included



Model No.	Fan Dia. "	CV	0" S.P. CFM	1/8" S.P. CFM	A"	B"	F"	Dimensions			Panel Size (square)	Wall Opening (square)	Weight lbs.	Price /Each
					G"	H"	J"	K"						
EA368	7	1/30	121	60	11.1	4	4	8.06	2.38	8	3	11 1/8"	8 1/2"	10
EA369	10	1/30	611	318	13.1	6	6	8.06	2.38	10	3	13 1/8"	10 1/2"	10
EA370	12	1/30	815	490	15.1	8	8	8.06	2.38	12	3	15 1/8"	13"	12
EA371	16	1/20	1216	765	19.1	12	12	9.06	2.38	16	4	19 1/8"	17"	20
EA372	18	1/15	1877	752	21.1	14	14	11	2.5	18	4.8	21 1/8"	18 1/2"	25
EA373	20	1/15	2235	920	23.1	16	16	11	2.5	20	4.8	23 1/8"	20 1/2"	35
EA374	24	1/4	3214	2015	27.1	20	20	12.7	3	24	5	27 1/8"	25"	48
EA375	30	1/4	4970	3510	33.1	26	26	12.7	3	30	5	33 1/8"	30 1/2"	57